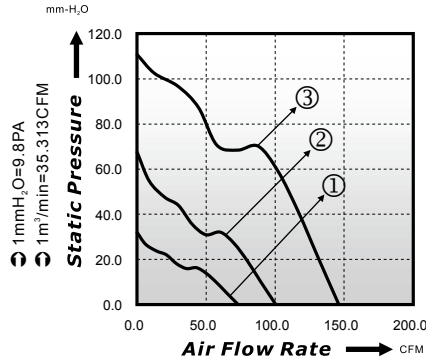


80x80x38mm

Model E

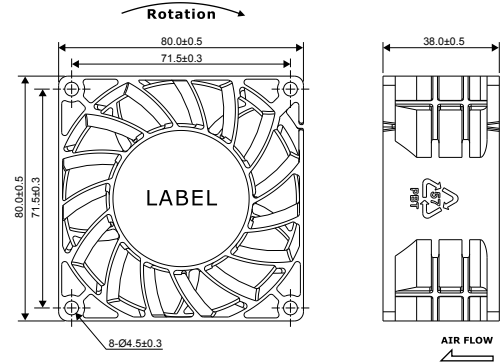


P-Q Curve (At Rated Voltage)



Dimensions Drawing

Unit: (mm)



Model No	Bearing (*)	Rated Voltage (VDC)	Rated Current (A)	Power Consumption (Watts)	Speed (rpm)	Air Flow (CFM)	Static Pressure (mmH ₂ O)	Noise (dBA)	Curve
ED08038-12LB	●	12	3.20	38.40	8000	73.0	31.9	60.0	1
ED08038-12MB	●	12	3.92	47.04	11000	100.5	67.5	67.0	2
ED08038-12HB	●	12	4.86	58.32	15000	146.0	110.8	73.5	3
ED08038-24LB	●	24	1.60	38.40	8000	73.0	31.9	60.0	1
ED08038-24MB	●	24	1.96	47.04	11000	100.5	67.5	67.0	2
ED08038-24HB	●	24	2.43	58.32	15000	146.0	110.8	73.5	3

* Bearing Type: ○ Sleeve ● Two Ball ○ Hydro-Dynamic